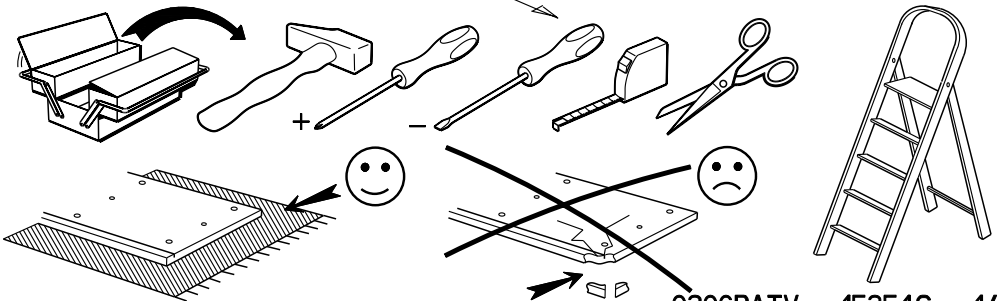
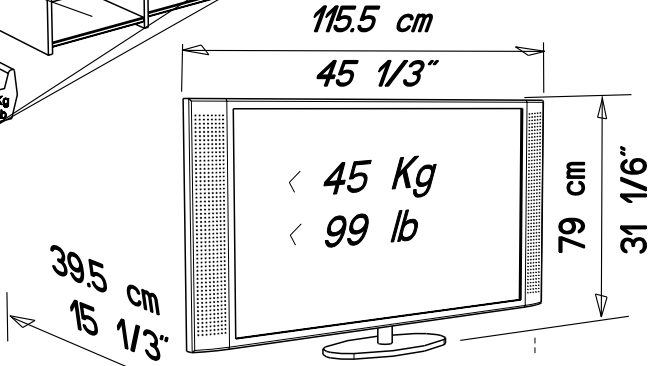
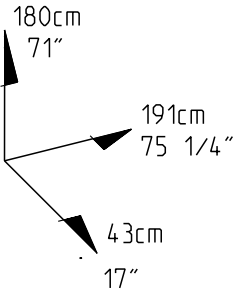
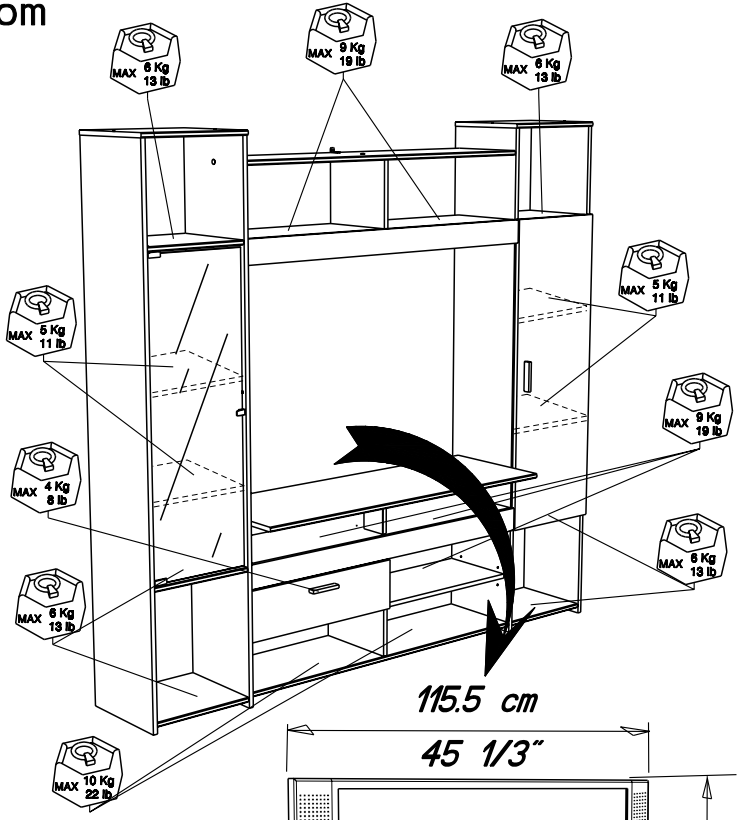
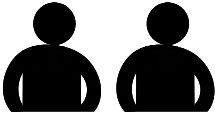
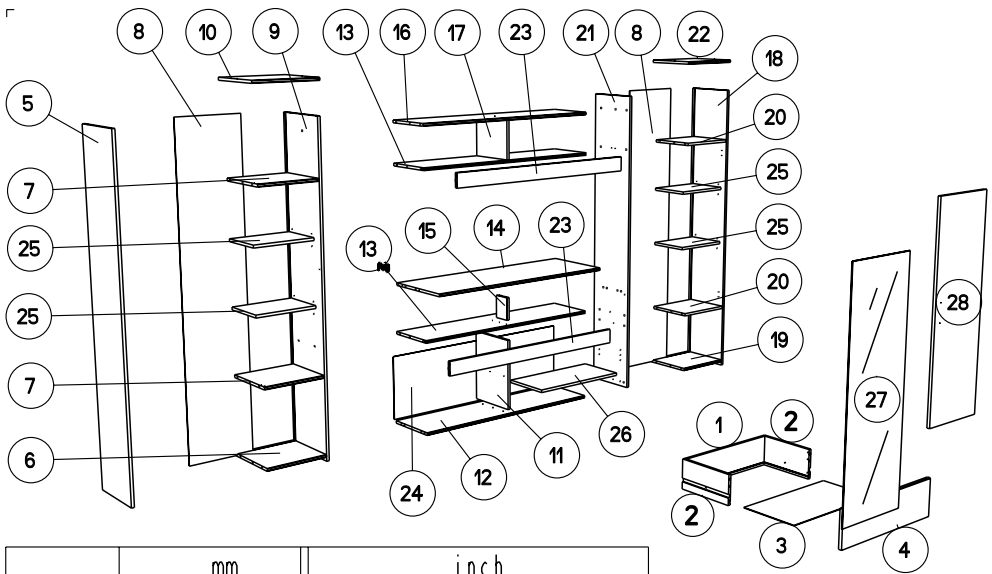
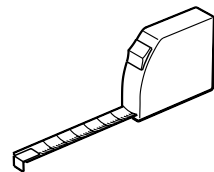


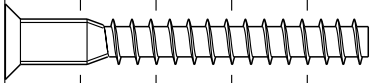
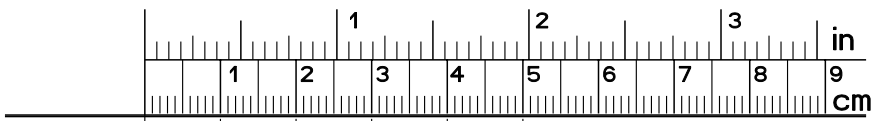
# 0206PATV



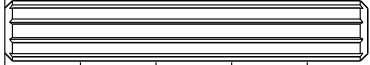


|      |     | mm   |     |    | inch     |          |      |
|------|-----|------|-----|----|----------|----------|------|
| (15) | x 1 | 130  | 97  | 16 | 5 1/8    | 3 13/16  | 5/8  |
| (17) | x 1 | 275  | 220 | 15 | 10 13/16 | 8 11/16  | 9/16 |
| (25) | x 4 | 344  | 245 | 15 | 13 9/16  | 9 5/8    | 9/16 |
| (20) | x 2 | 344  | 280 | 15 | 13 9/16  | 11       | 9/16 |
| (19) | x 1 | 344  | 300 | 15 | 13 9/16  | 11 13/16 | 9/16 |
| (7)  | x 2 | 344  | 308 | 15 | 13 9/16  | 12 1/8   | 9/16 |
| (6)  | x 1 | 344  | 328 | 15 | 13 9/16  | 12 15/16 | 9/16 |
| (22) | x 1 | 377  | 307 | 15 | 14 13/16 | 12 1/16  | 9/16 |
| (10) | x 1 | 377  | 335 | 15 | 14 13/16 | 13 3/16  | 9/16 |
| (11) | x 1 | 407  | 296 | 15 | 16       | 11 5/8   | 9/16 |
| (26) | x 1 | 570  | 273 | 15 | 22 7/16  | 10 3/4   | 9/16 |
| (4)  | x 1 | 582  | 171 | 15 | 22 15/16 | 6 3/4    | 9/16 |
| (28) | x 1 | 1097 | 367 | 15 | 43 3/16  | 14 7/16  | 9/16 |
| (16) | x 1 | 1155 | 279 | 15 | 45 1/2   | 11       | 9/16 |
| (13) | x 2 | 1155 | 281 | 15 | 45 1/2   | 11 1/16  | 9/16 |
| (12) | x 1 | 1155 | 300 | 15 | 45 1/2   | 11 13/16 | 9/16 |
| (14) | x 1 | 1155 | 398 | 15 | 45 1/2   | 15 11/16 | 9/16 |
| (23) | x 2 | 1157 | 80  | 15 | 45 9/16  | 3 1/8    | 9/16 |
| (18) | x 1 | 1783 | 302 | 15 | 70 3/16  | 11 7/8   | 9/16 |
| (21) | x 1 | 1783 | 302 | 15 | 70 3/16  | 11 7/8   | 9/16 |
| (9)  | x 1 | 1783 | 330 | 15 | 70 3/16  | 13       | 9/16 |
| (5)  | x 1 | 1783 | 330 | 15 | 70 3/16  | 13       | 9/16 |
| (2)  | x 2 | 275  | 139 | 13 | 10 13/16 | 5 1/2    | 1/2  |
| (1)  | x 1 | 519  | 139 | 13 | 20 7/16  | 5 1/2    | 1/2  |
| (3)  | x 1 | 529  | 274 | 3  | 20 13/16 | 10 13/16 | 1/8  |
| (27) | x 1 | 990  | 337 | 4  | 39       | 13 1/4   | 3/16 |
| (24) | x 1 | 1180 | 364 | 3  | 46 7/16  | 14 5/16  | 1/8  |
| (8)  | x 2 | 1764 | 360 | 3  | 69 7/16  | 14 3/16  | 1/8  |
|      |     |      |     |    |          |          |      |





**HW x 12**



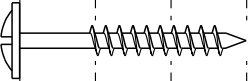
**AB x 10**



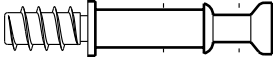
**ADM x 44**



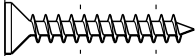
**ADU x 8**



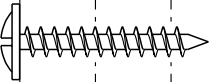
**WH x 6**



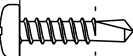
**BWC x 29**



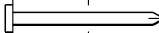
**VJ x 11**



**XN x 1**



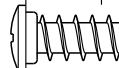
**BRL x 4**



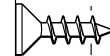
**YB x 12**



**BWF x 4**



**VB x 4**



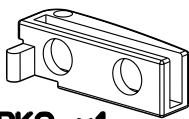
**VG x 5**



**ANK x 2**



**BKP x1**



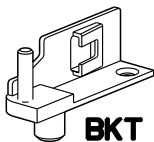
**BKQ x1**



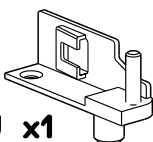
**BKR x4**



**BLC x1**



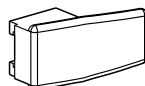
**BKT x1**



**BKU x1**



**BKV x2**



**BLD x1**



**BMD x1**



**WA x5**



**X2**



**ZF x1**



**OO x1**



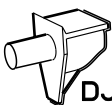
**EP x5**



**Ai x29**



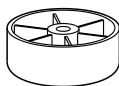
**CF x1**



**DJ x1**



**BWD x20**



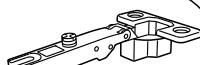
**BXC x1**



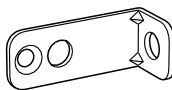
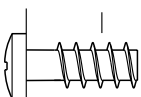
**BWU x2**



**BWW x2**



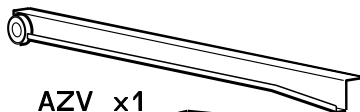
**BWT x8**



**BLL x3**



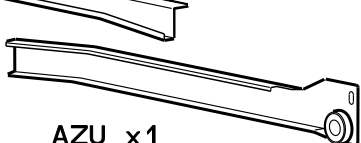
**HV x1**



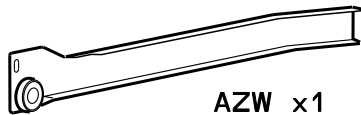
**AZV x1**



**AZX x1**

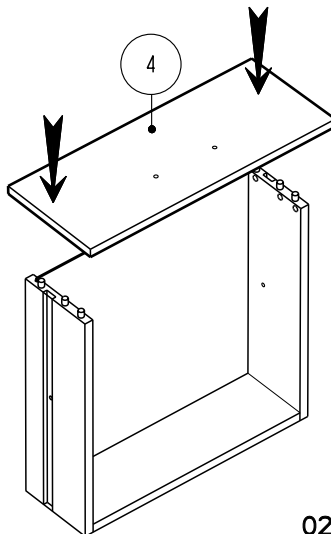
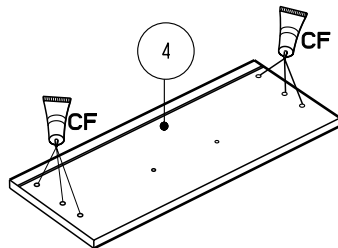
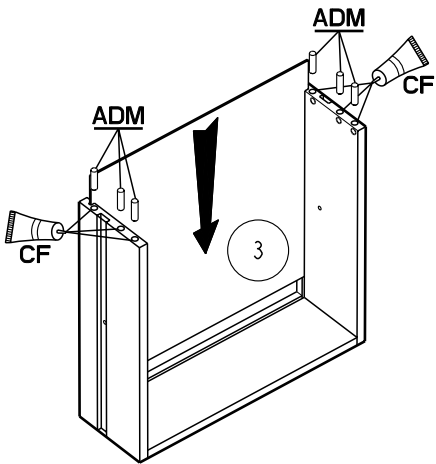
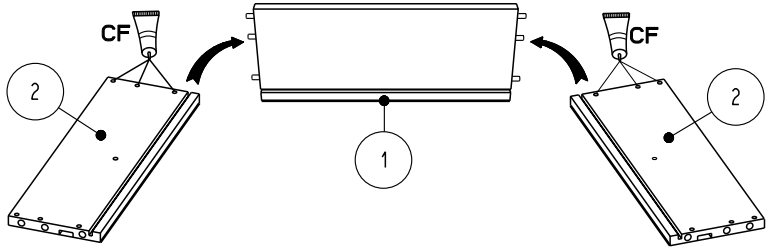
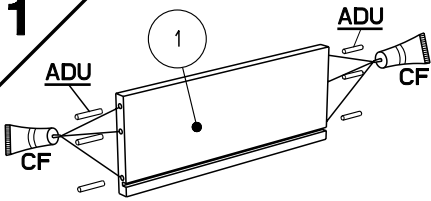


**AZU x1**



**AZW x1**

**1**



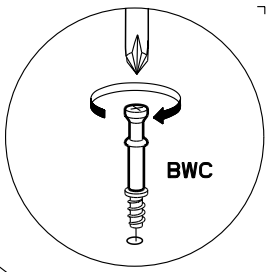
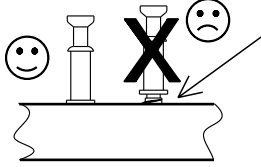
**2**

ADM x 2

BWC x 3

BWC

5



**3**

AB x 2

32.8cm

6

ADM x 2

AB x 2

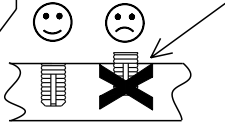
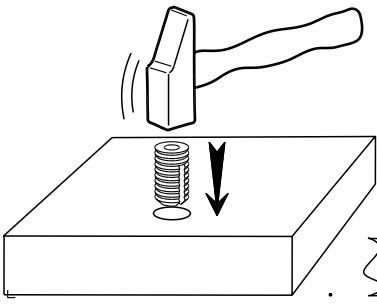


ADM x 2

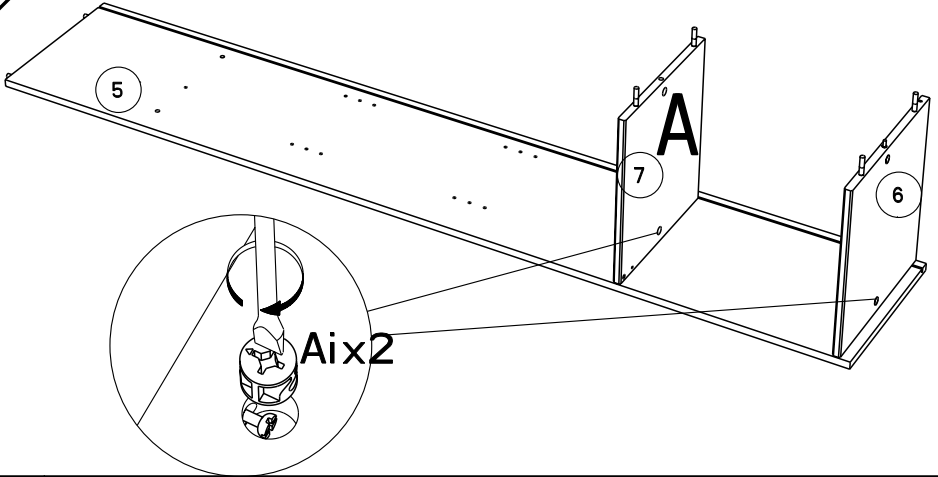
ANK

7 A

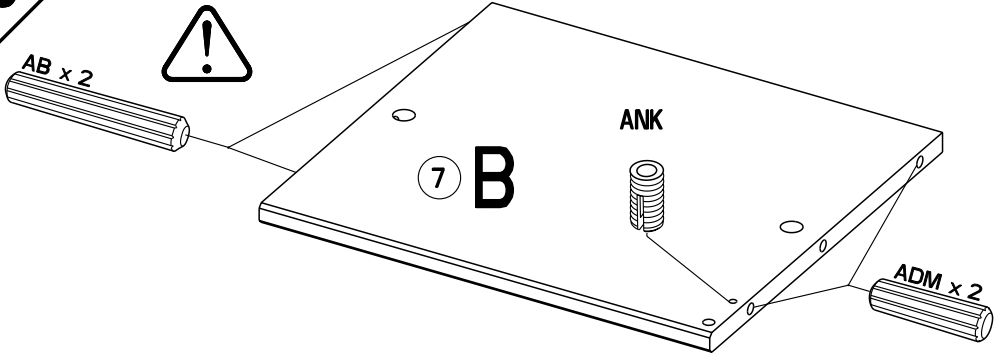
x1



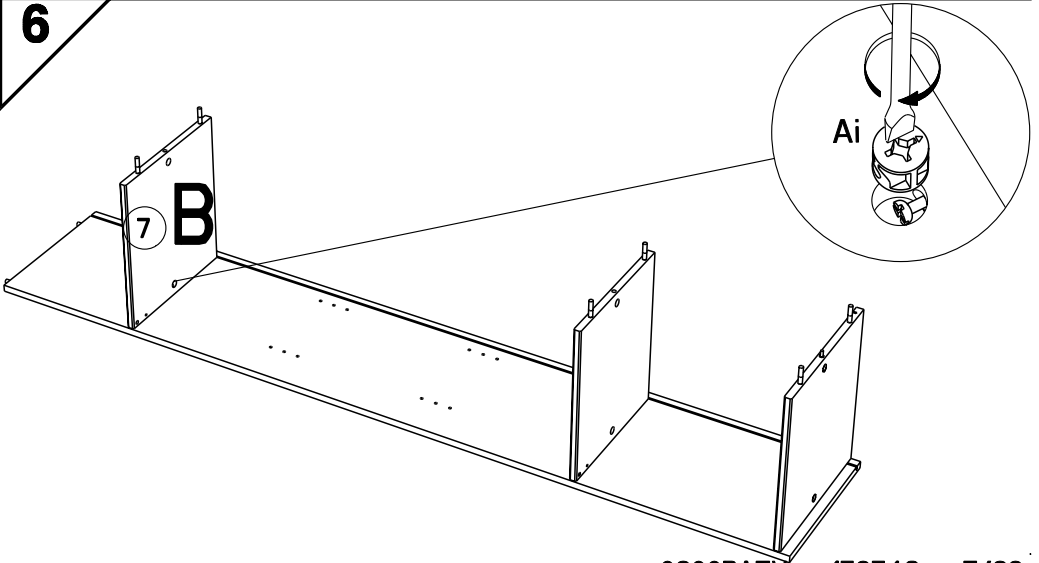
**4**



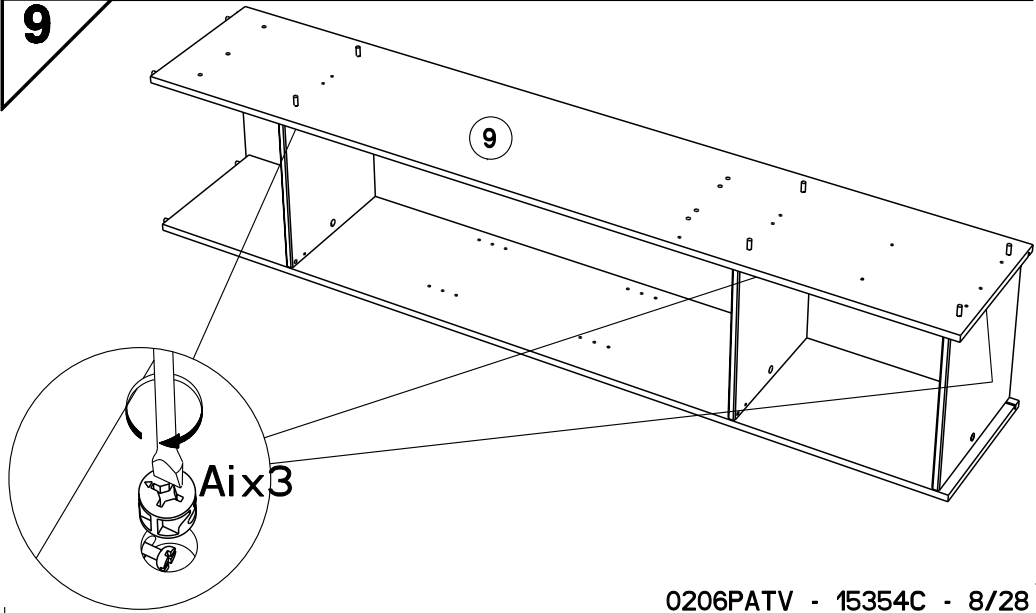
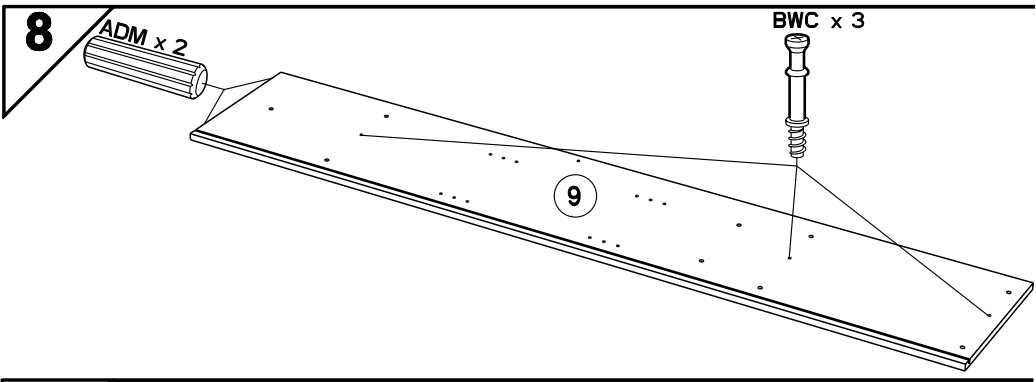
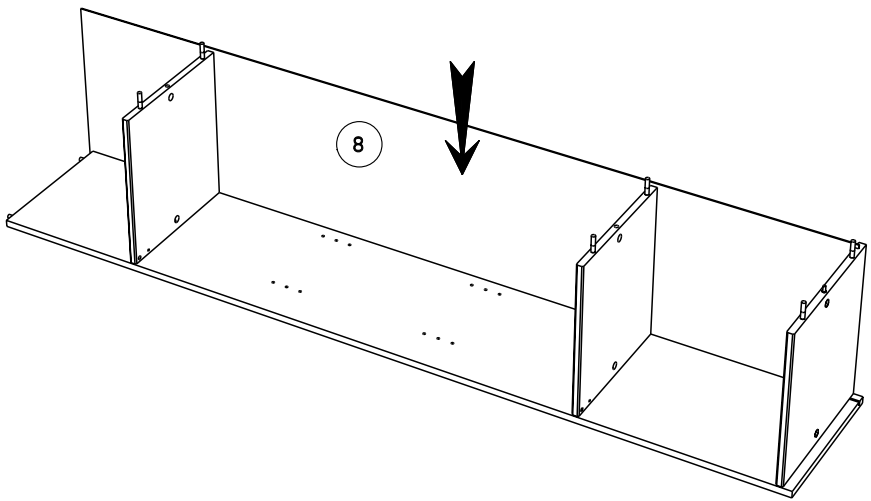
**5**



**6**

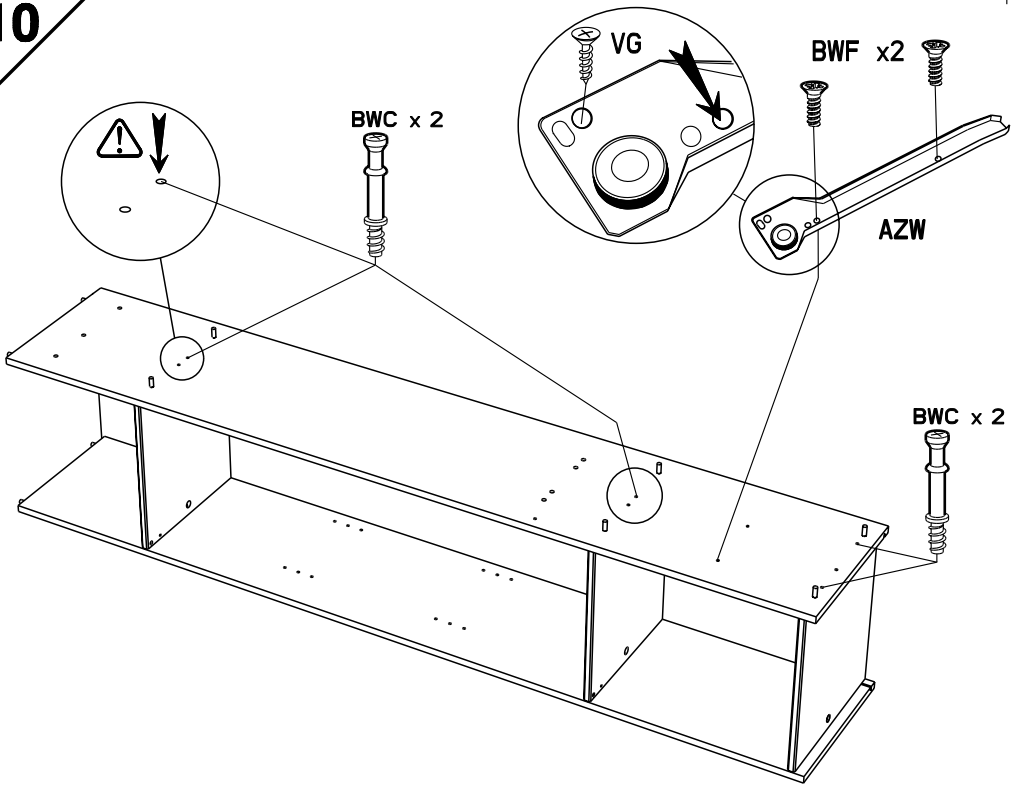


**7**

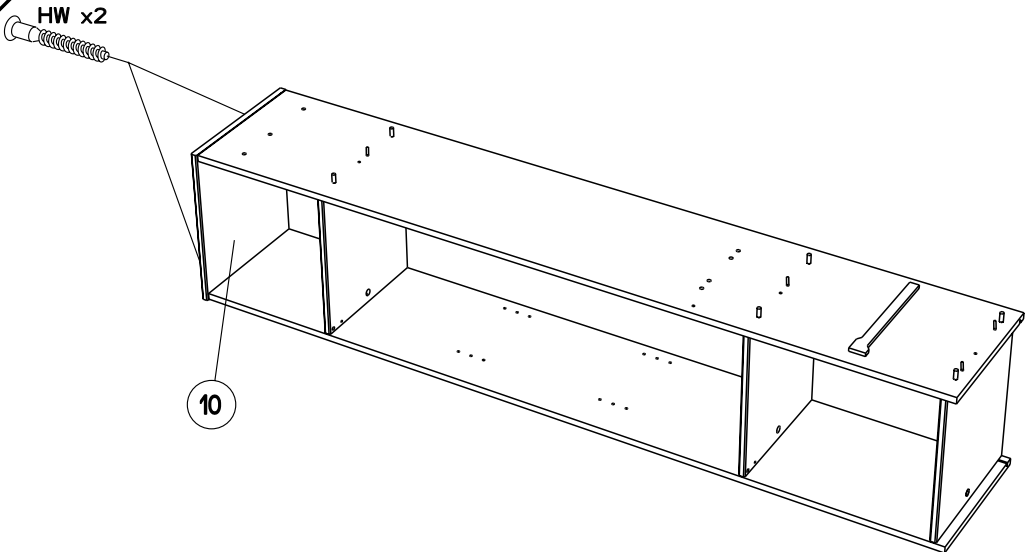




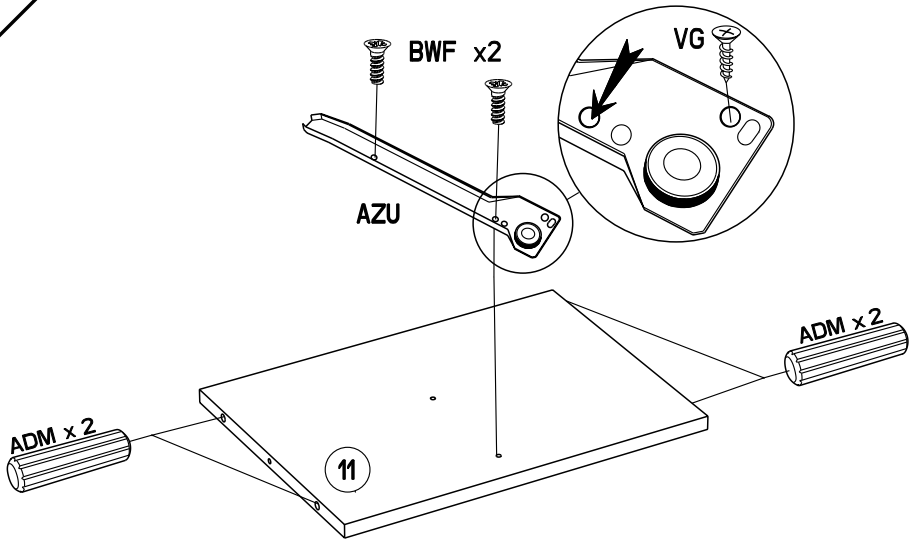
10



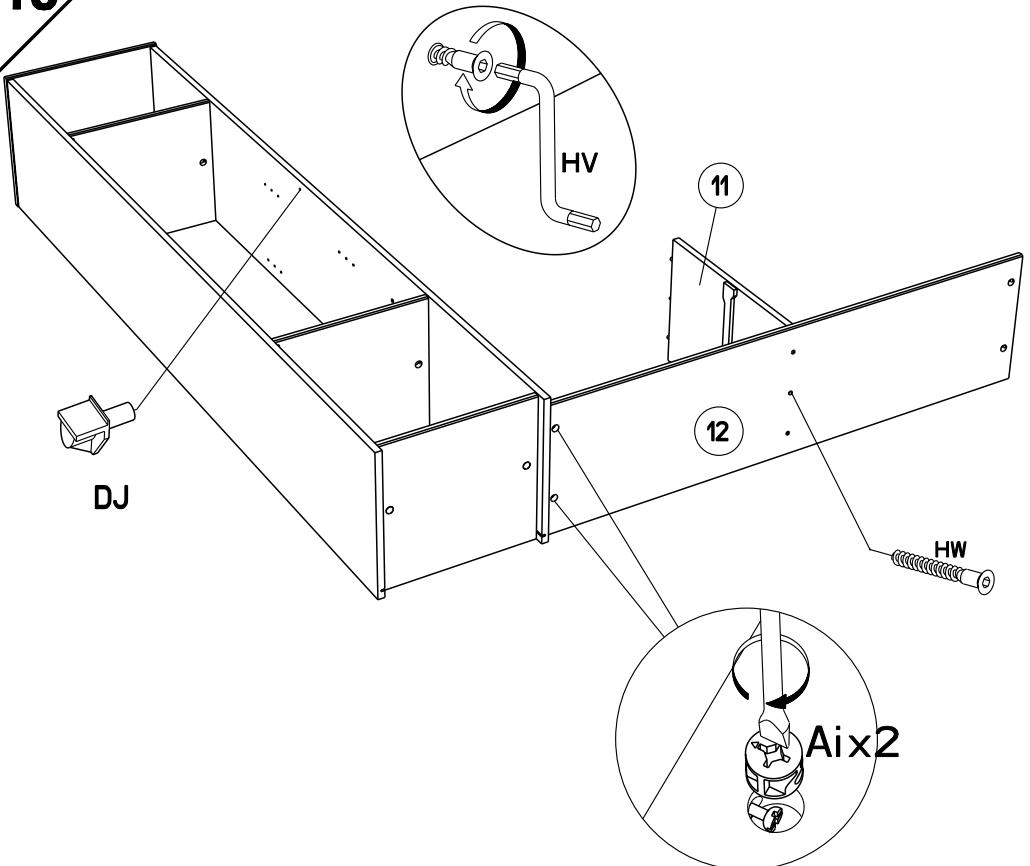
11



12

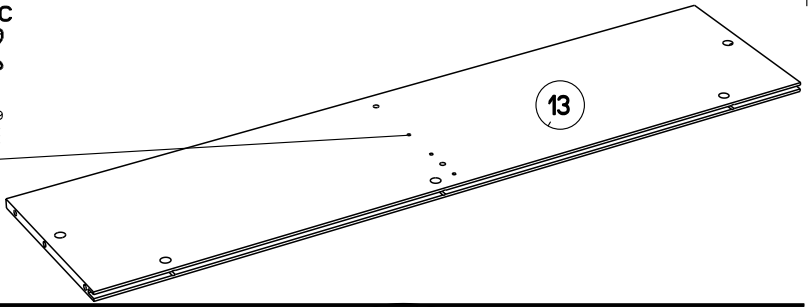
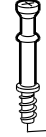


13

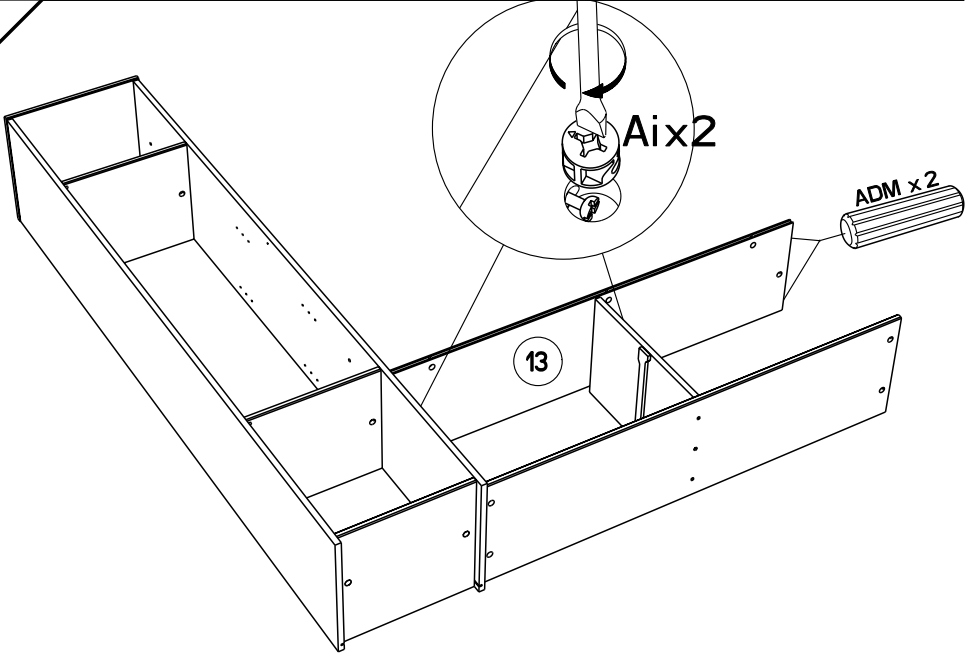


14

BWC



15



16

VB

BLL

BWC x 2

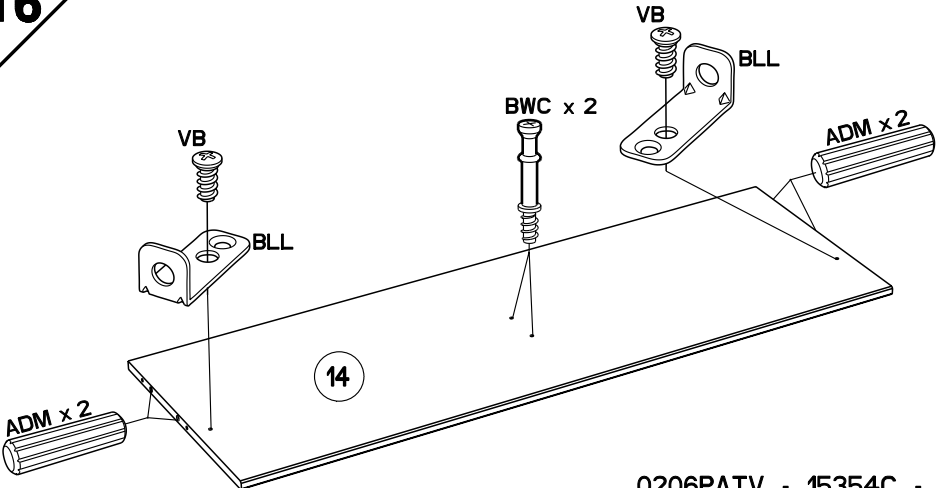
ADM x 2

VB

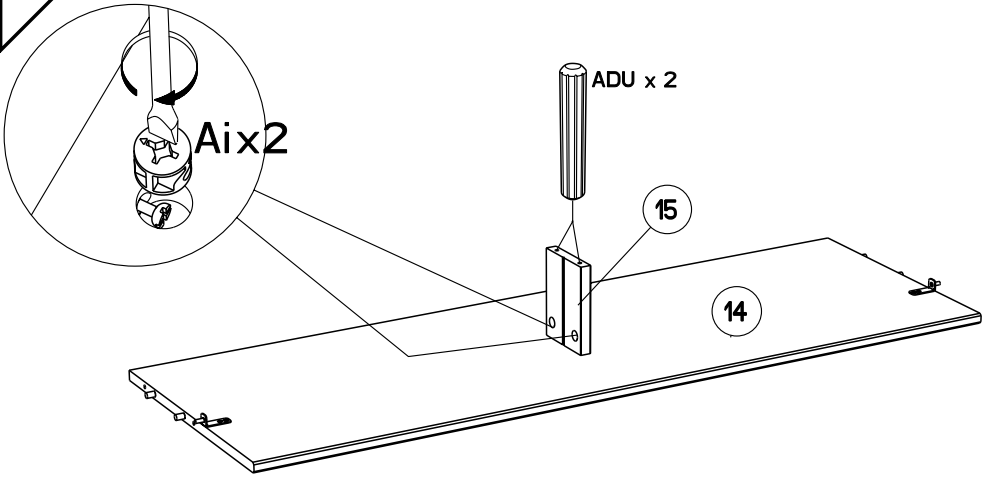
BLL

14

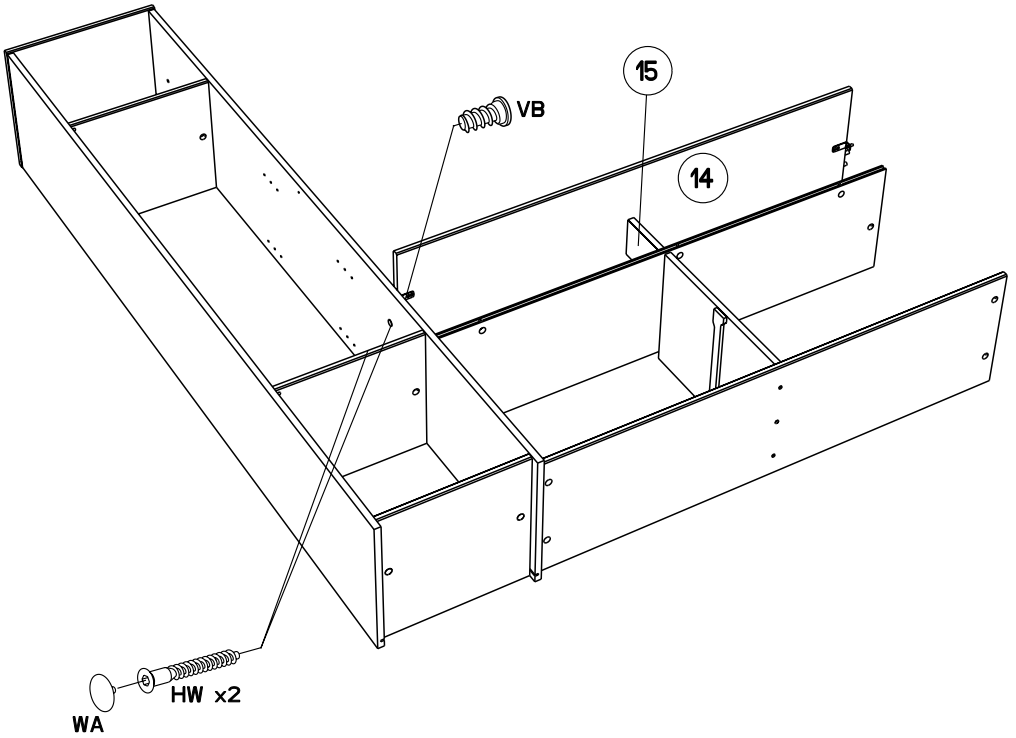
ADM x 2

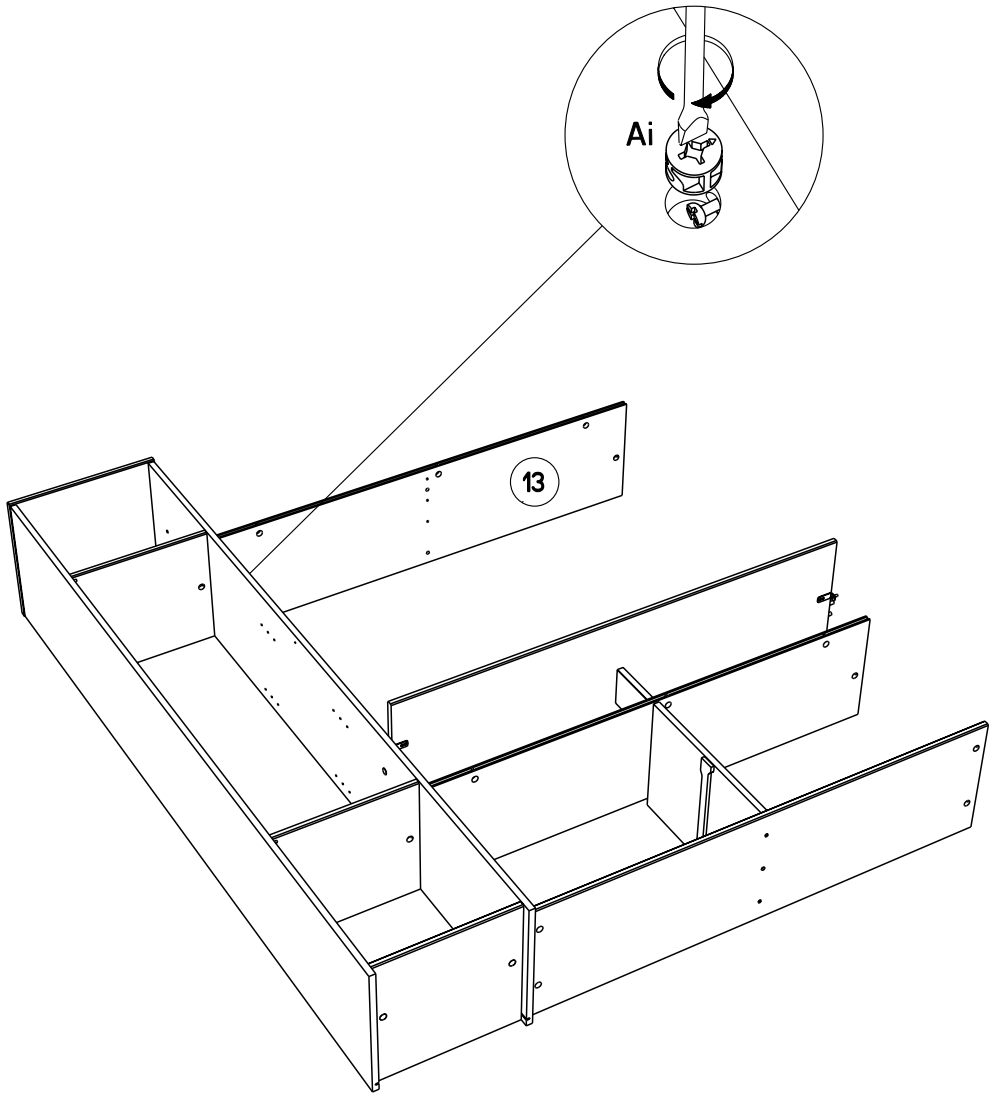


17

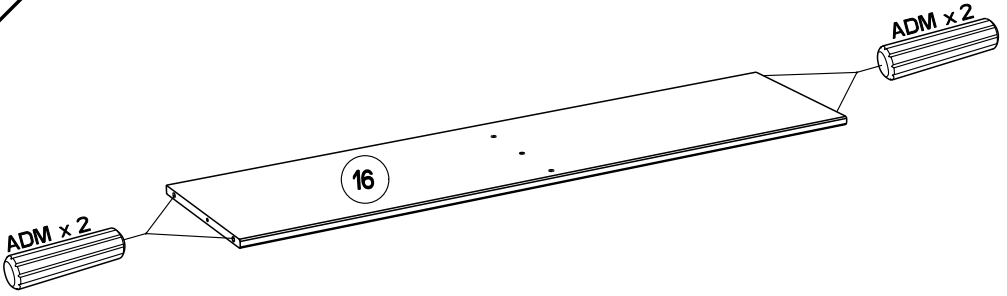


18

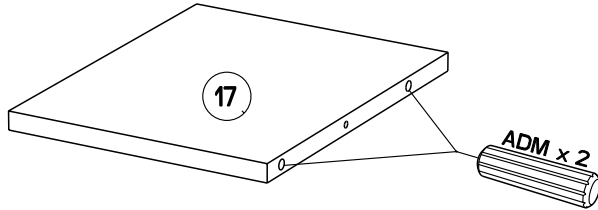




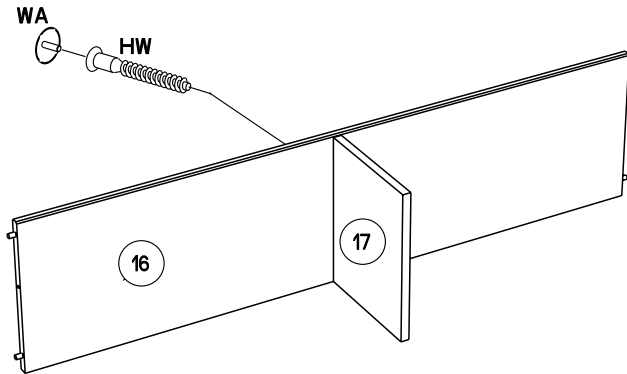
20



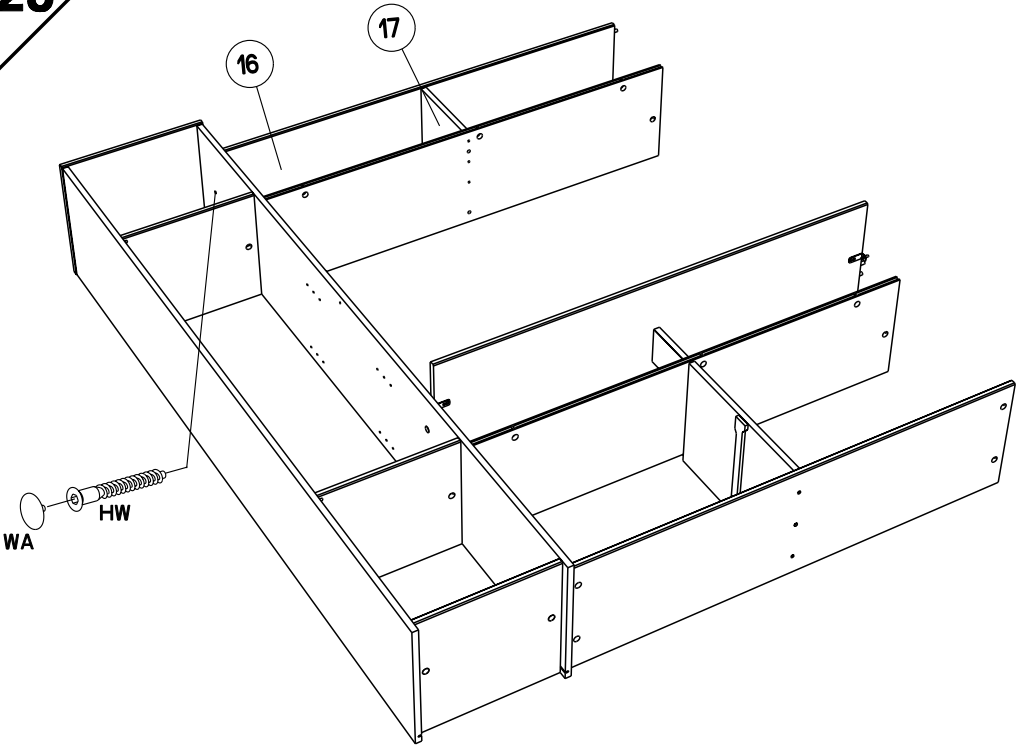
21



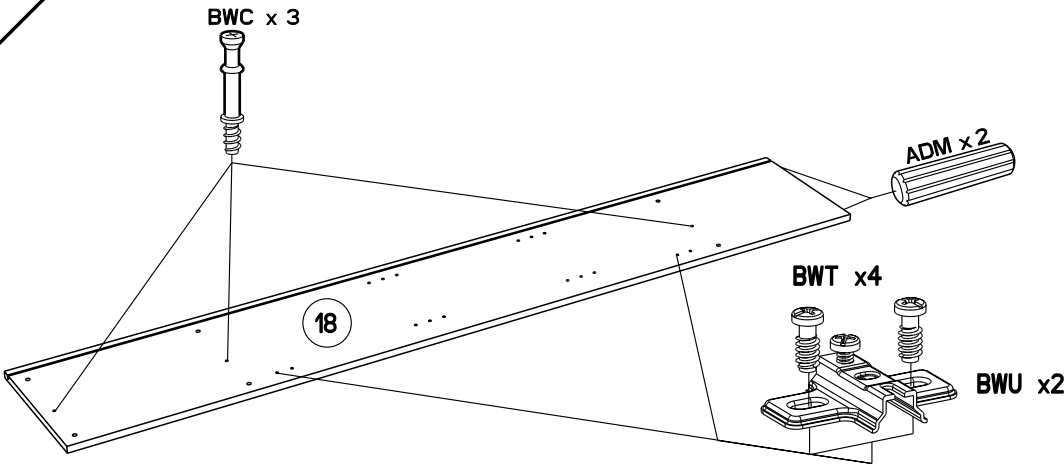
22



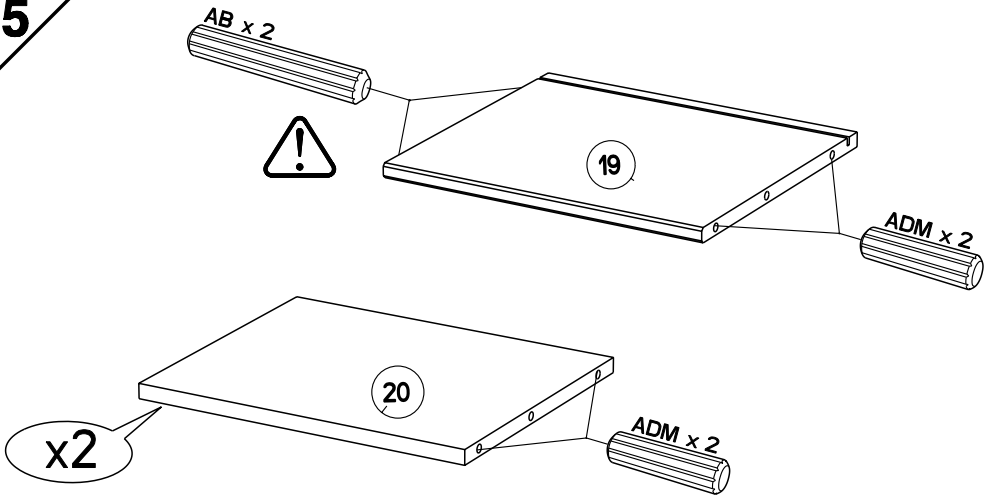
**23**



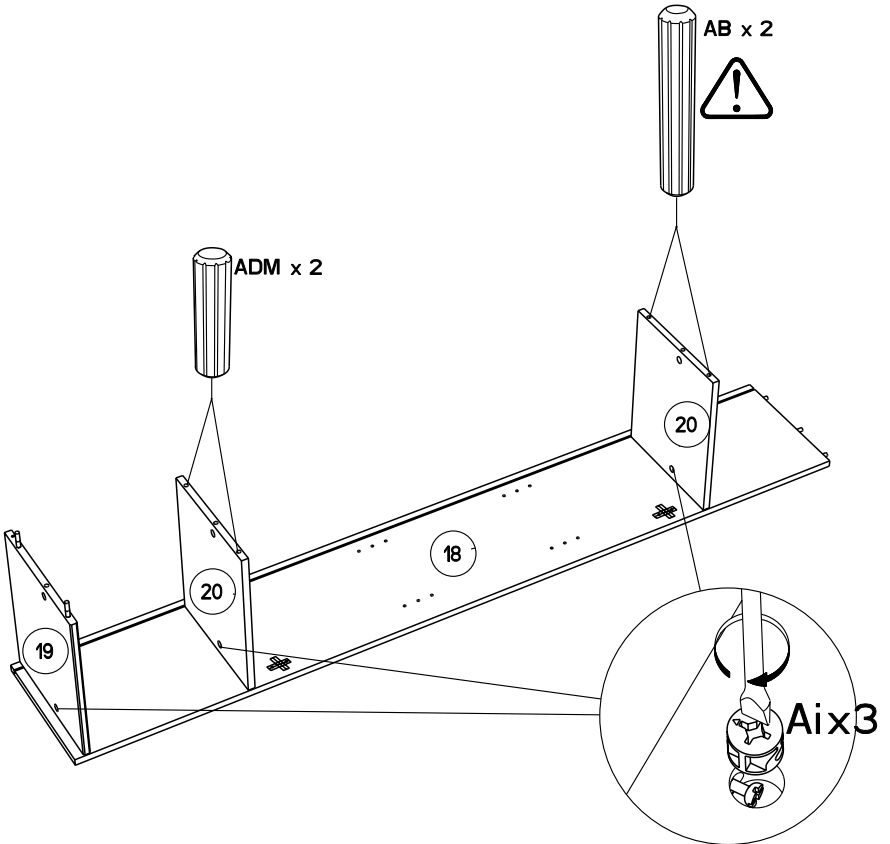
**24**



25

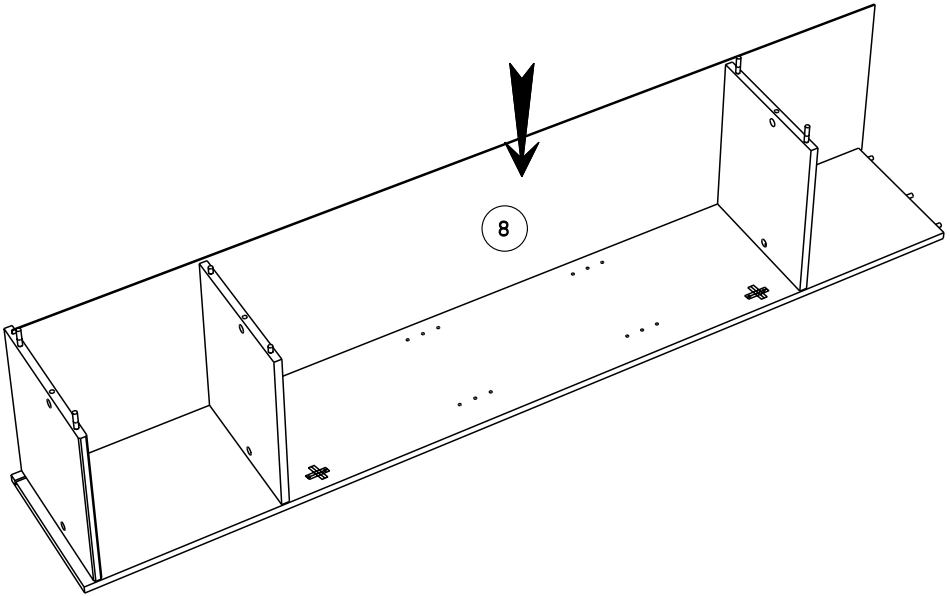


26

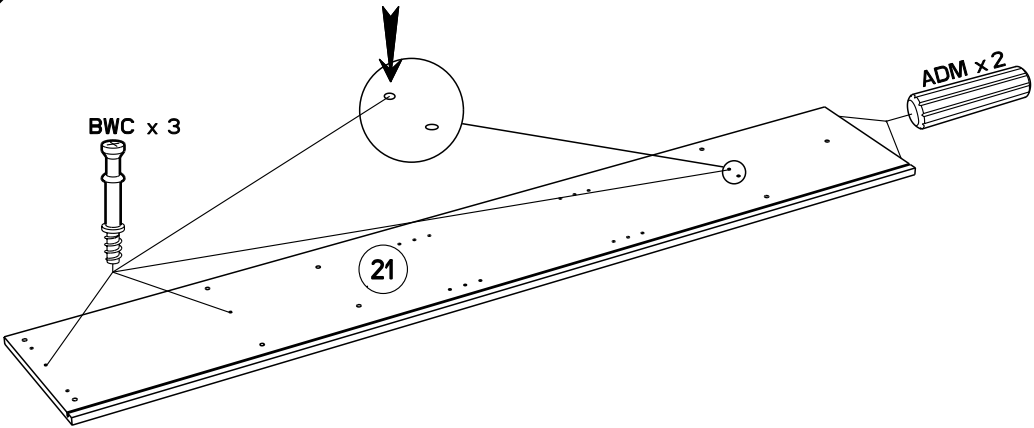




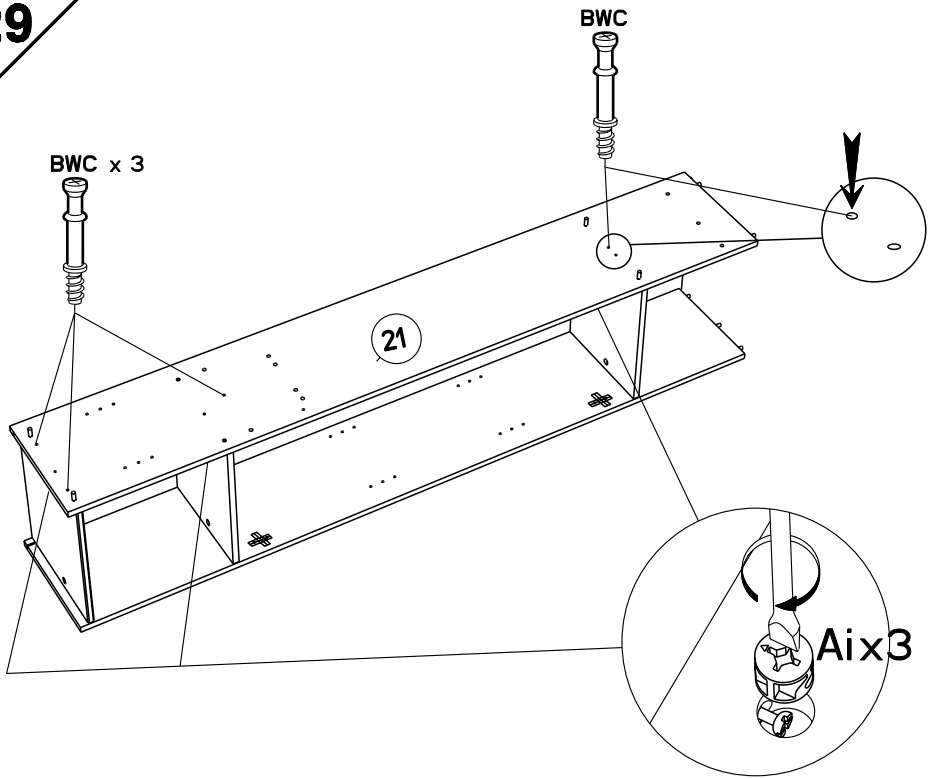
27



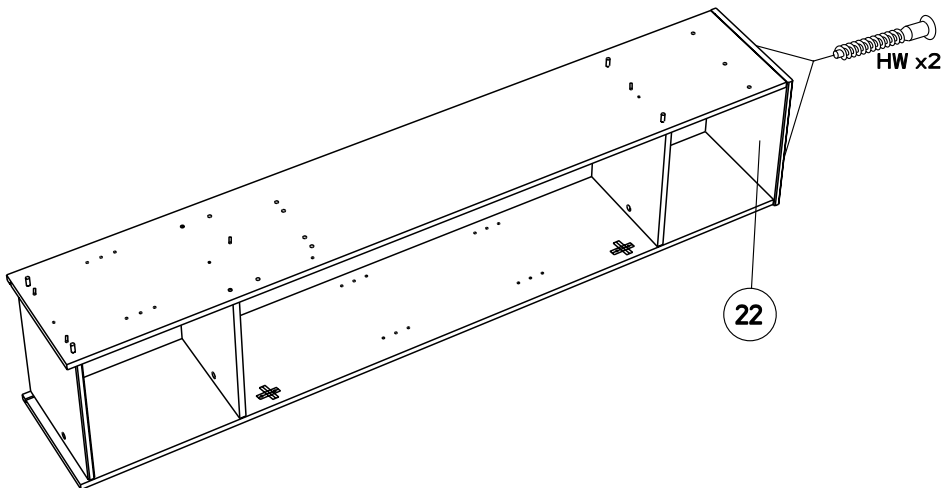
28



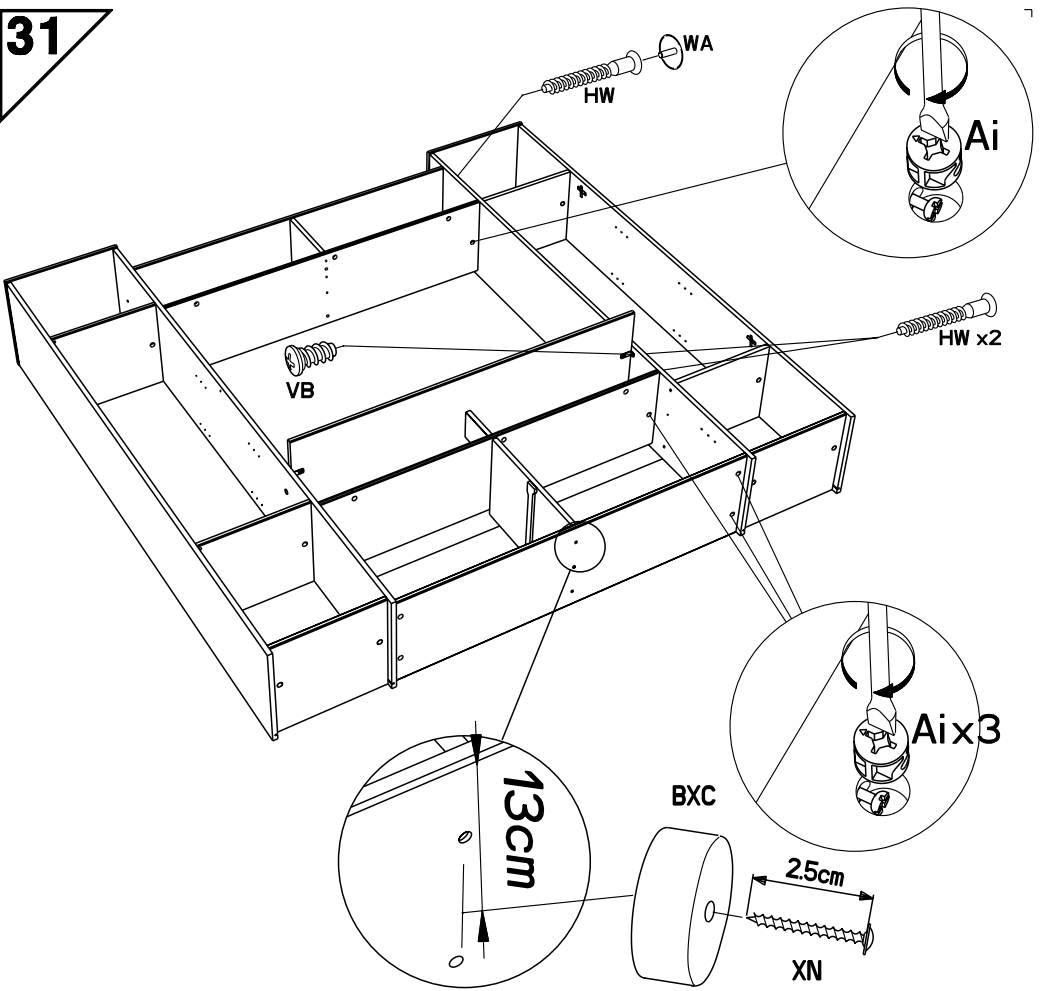
29



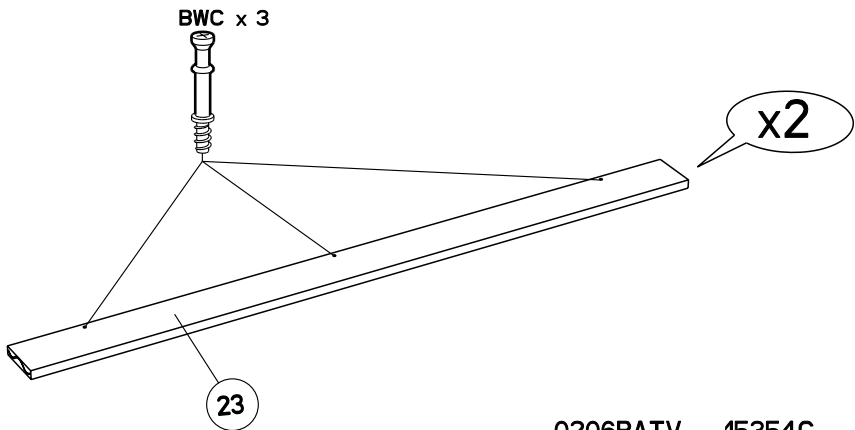
30



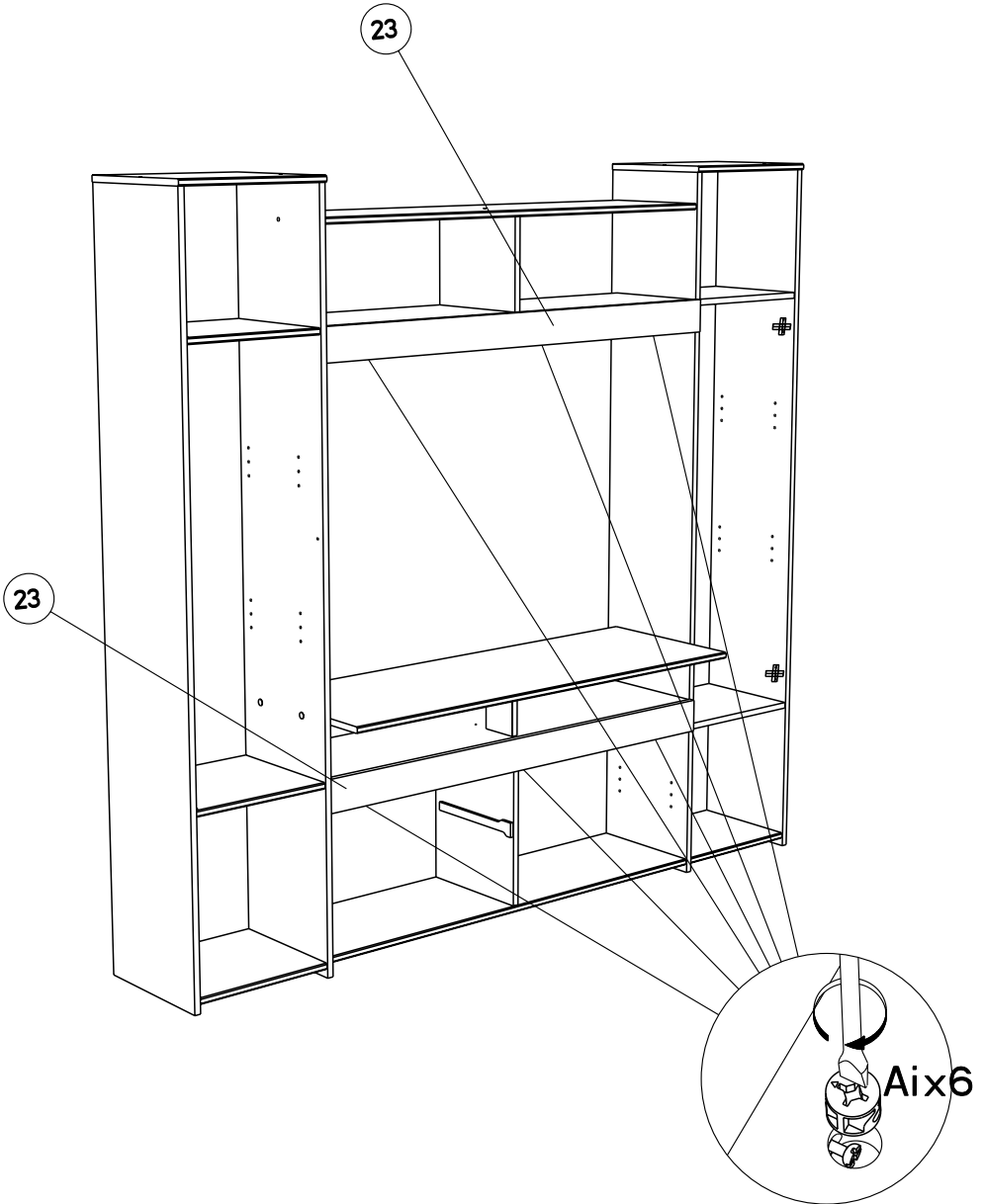
31



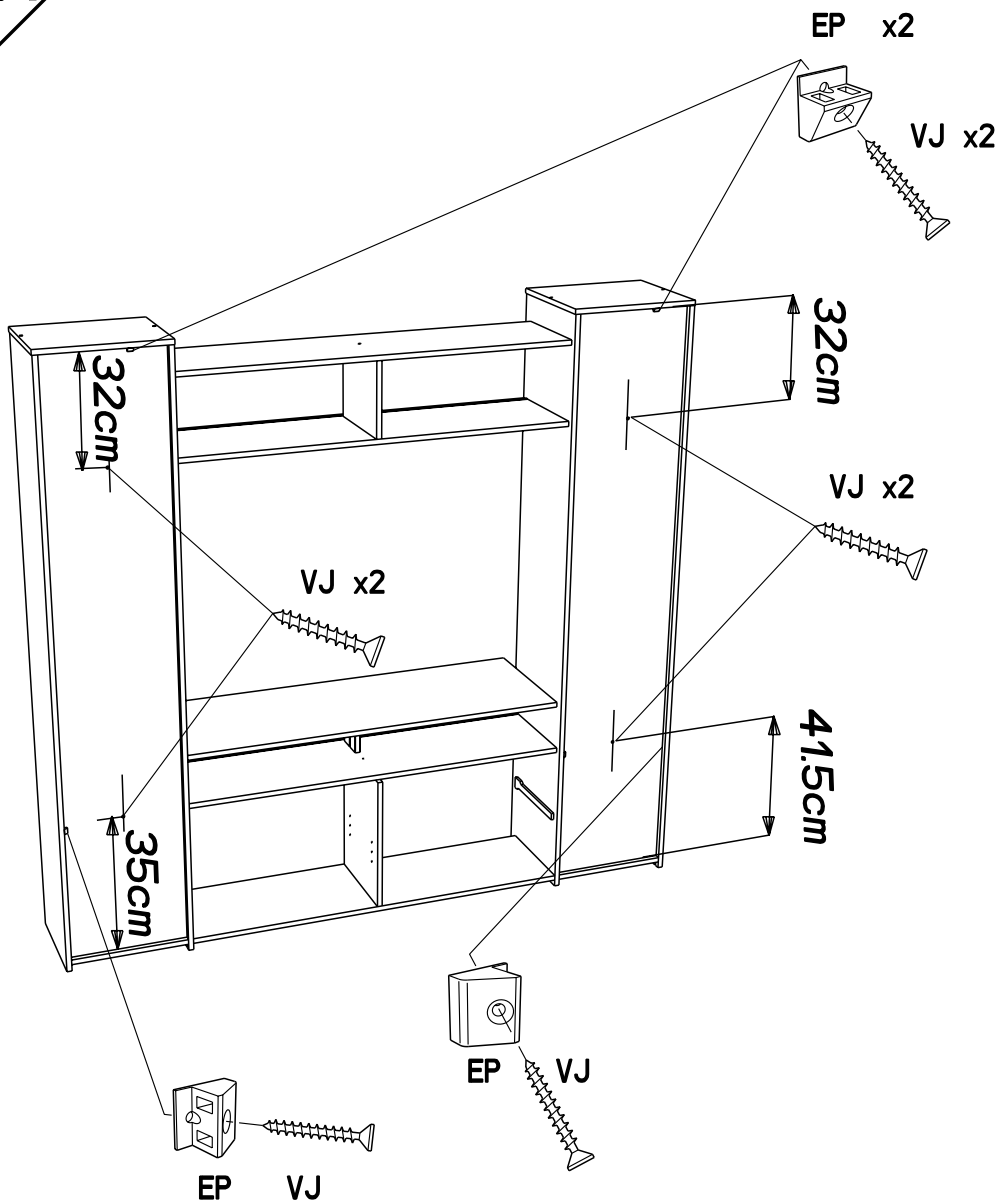
32



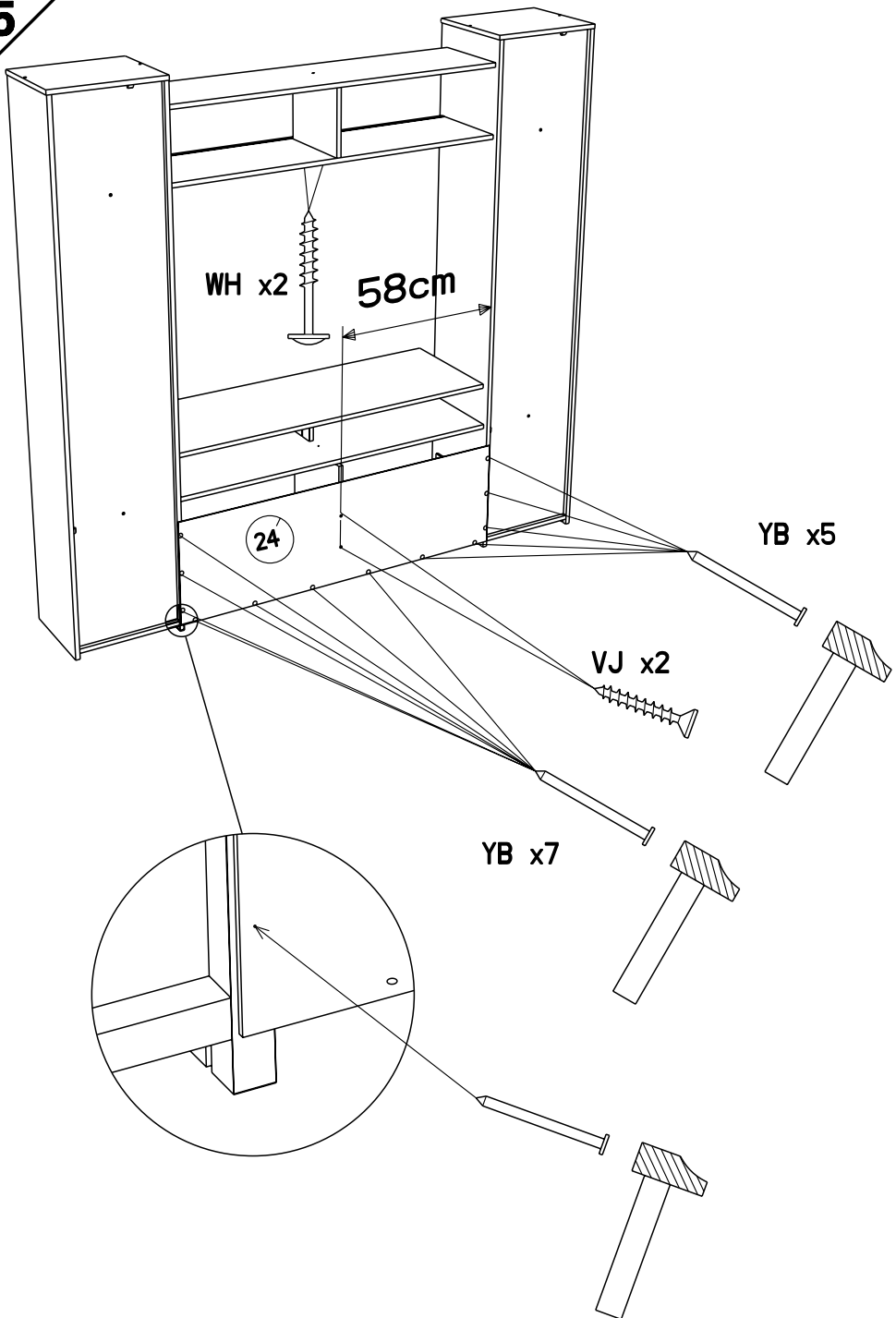
33



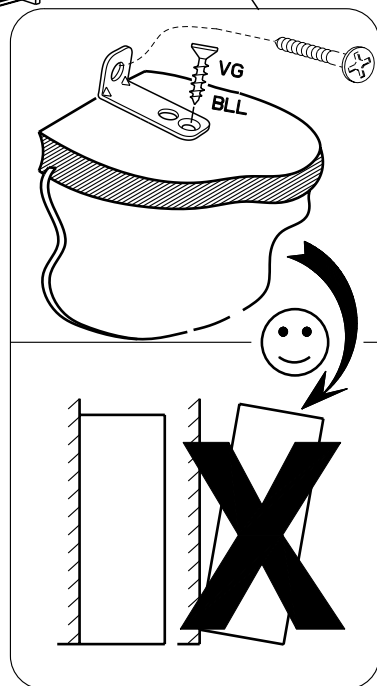
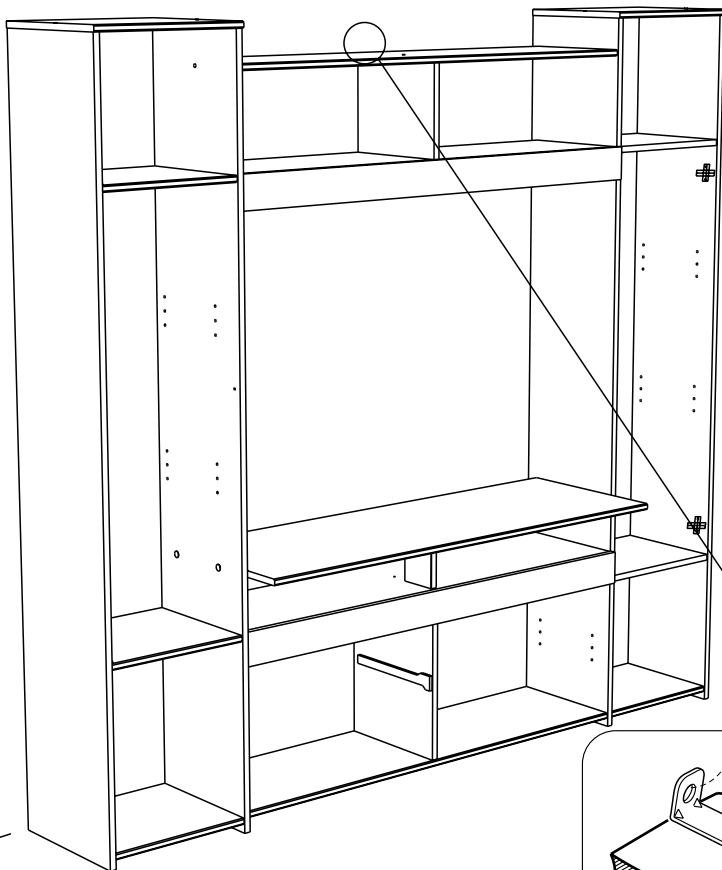
**34**



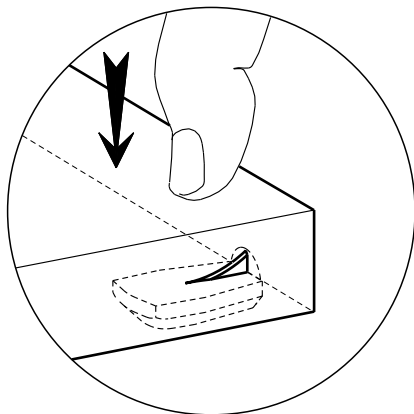
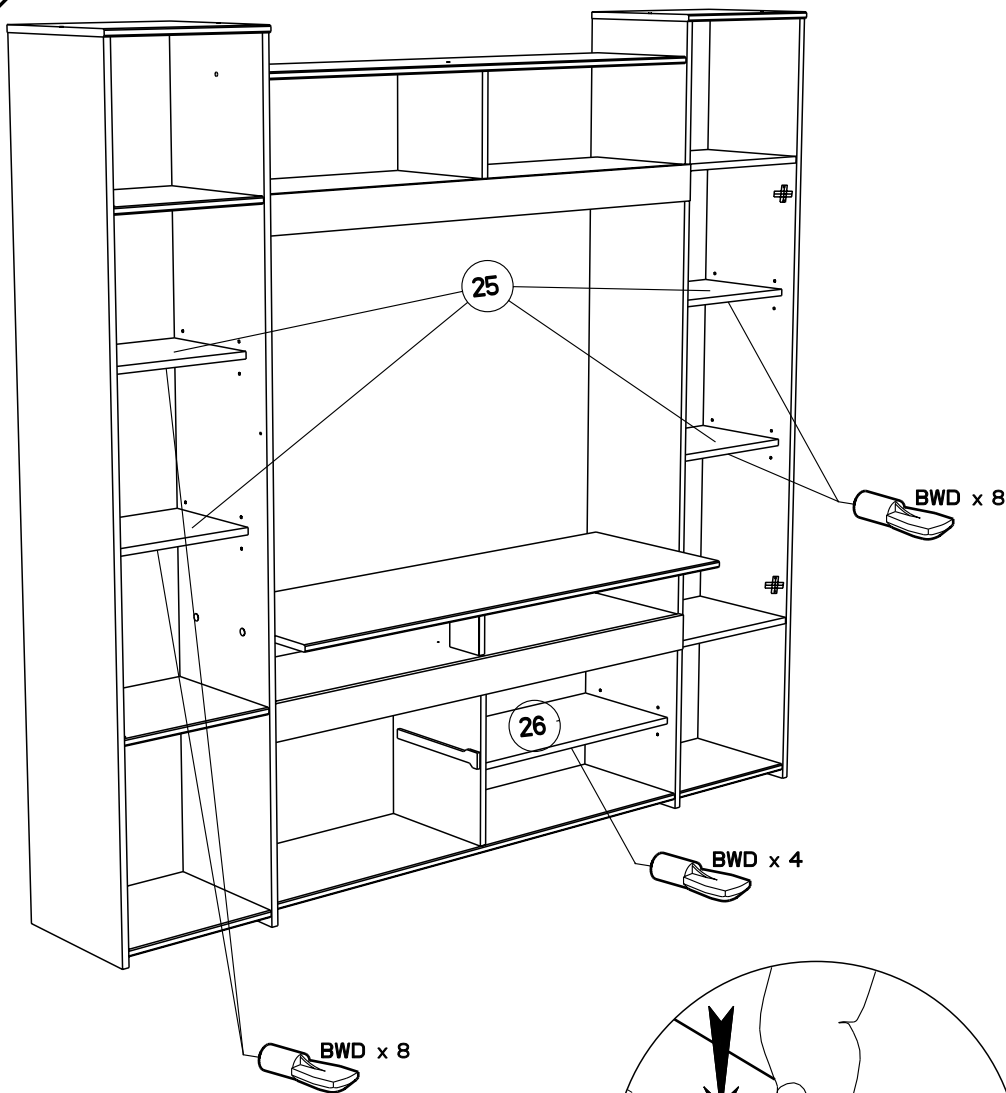
**35**



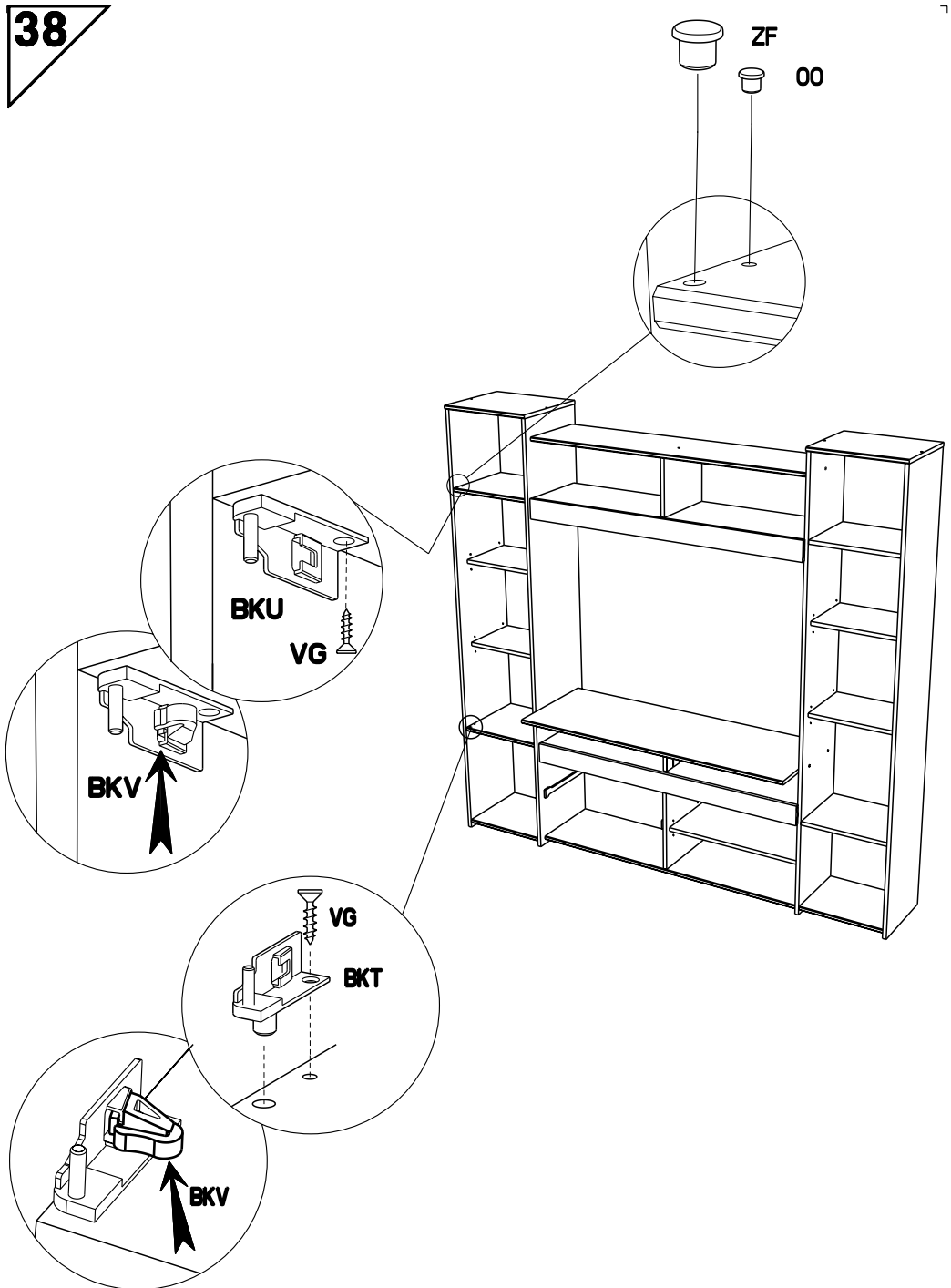
36



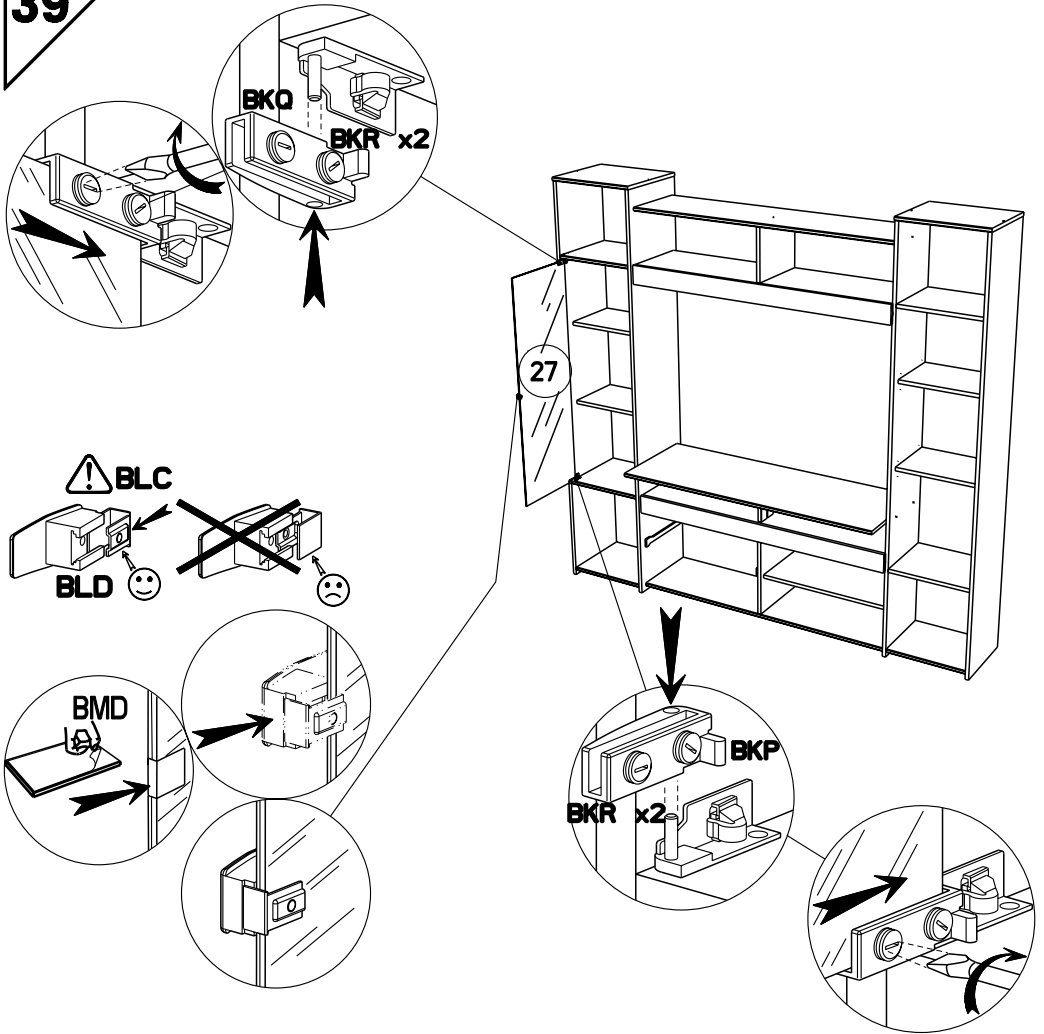
37



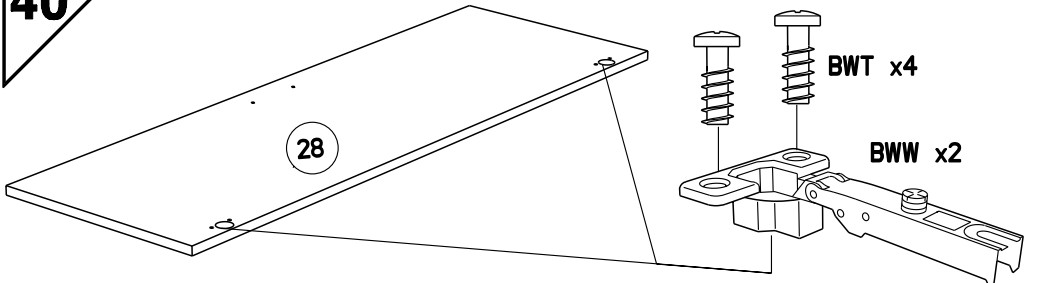




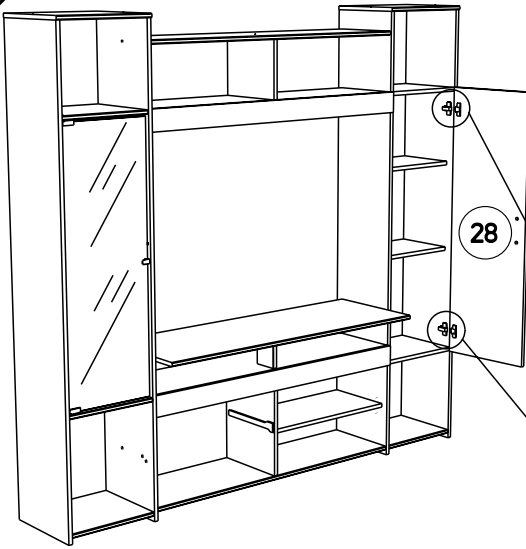
39



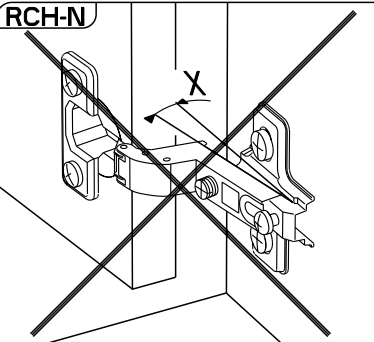
40



41

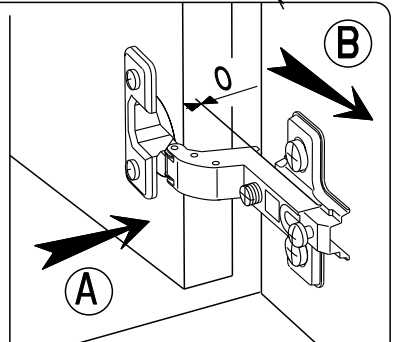


RCH-N



**MONTAGE**

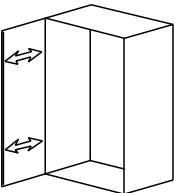
- (GB) LEAFLET
- (D) AUFBAUANLEITUNG
- (E) MONTAJE
- (P) MONTAGEM
- (I) MONTAGGIO
- (NL) MONTAGE



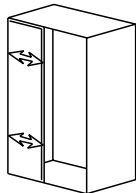
**REGLAGE**

- (GB) ADJUSTING
- (D) ANPASSUNG
- (E) AJUSTER
- (P) REGULACAO
- (I) AGGIUSTAMENTO
- (NL) AFSTELLING

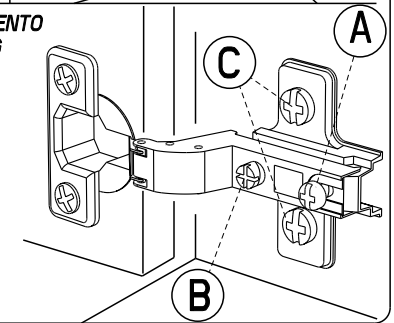
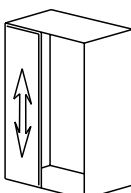
A



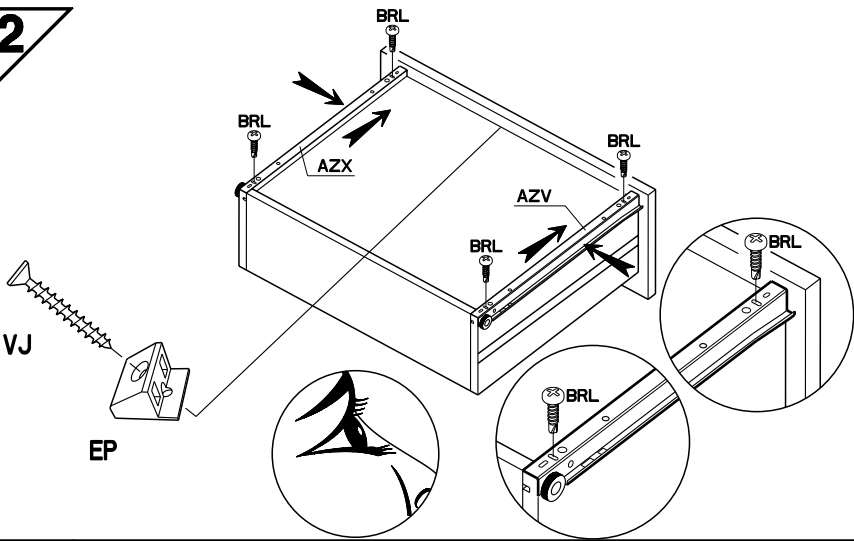
B



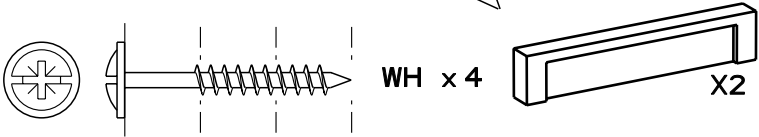
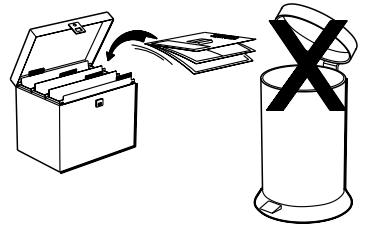
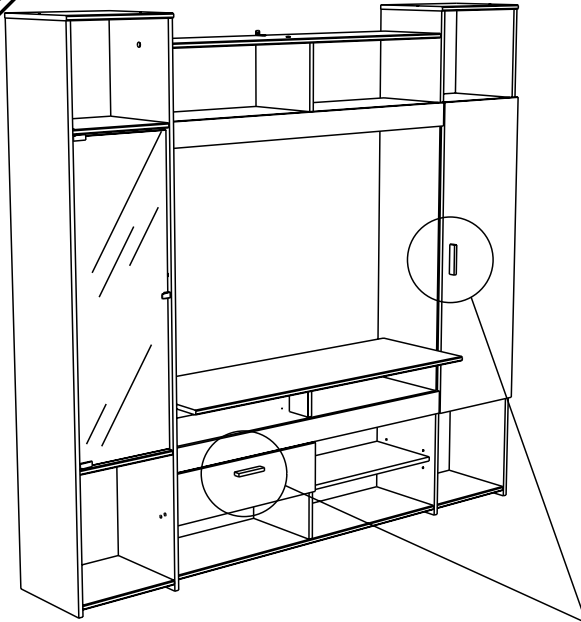
C



42



43



Faites un geste pour l'environnement en triant vos déchets d'emballage  
 Make a gesture for the environment by sorting out your waste of packaging  
 Machen Sie eine Bewegung für die Umwelt, ihre Verpackungsabfälle sortierend  
 Haga un gesto para el medio ambiente escogiendo sus residuos de embalaje